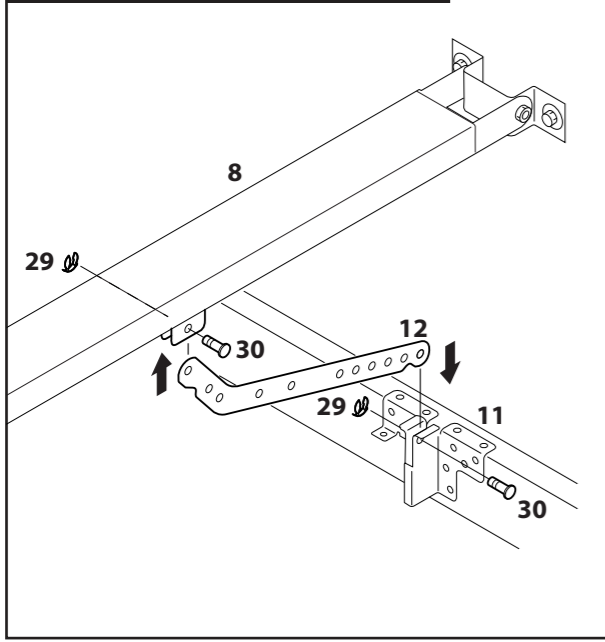
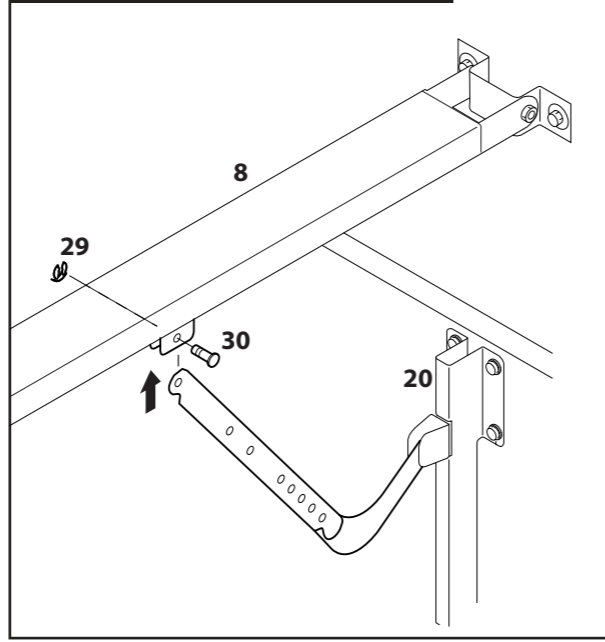


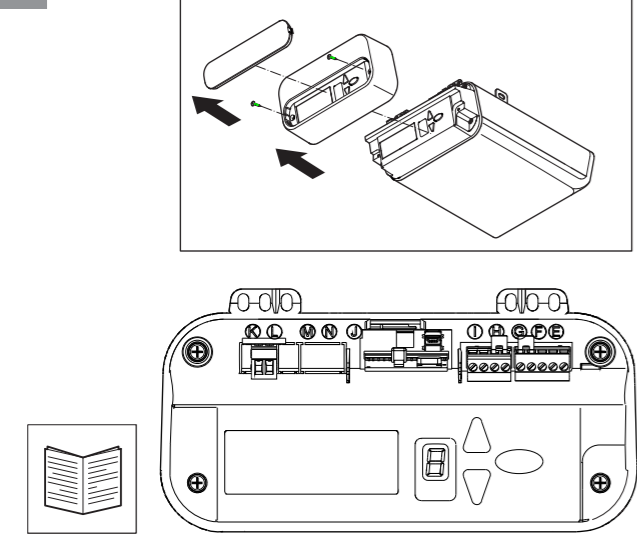
**Up-and-over door / Sectional door**



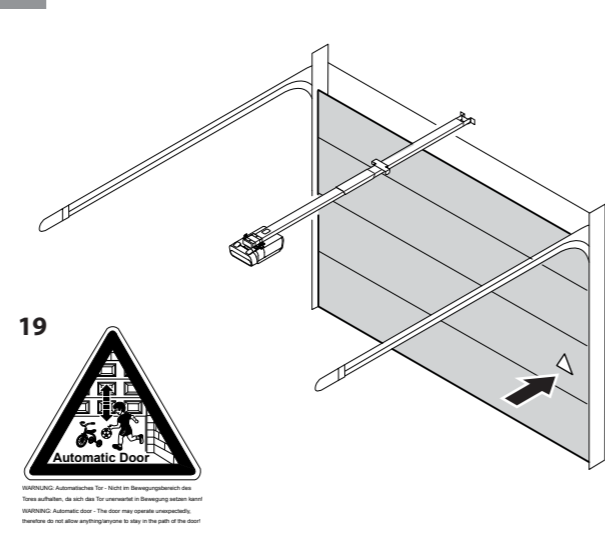
**Sectional door (option)**



**7**



**8**



# Novomatic 823 S

930003-03-6-50 05/2019

**PARTS**

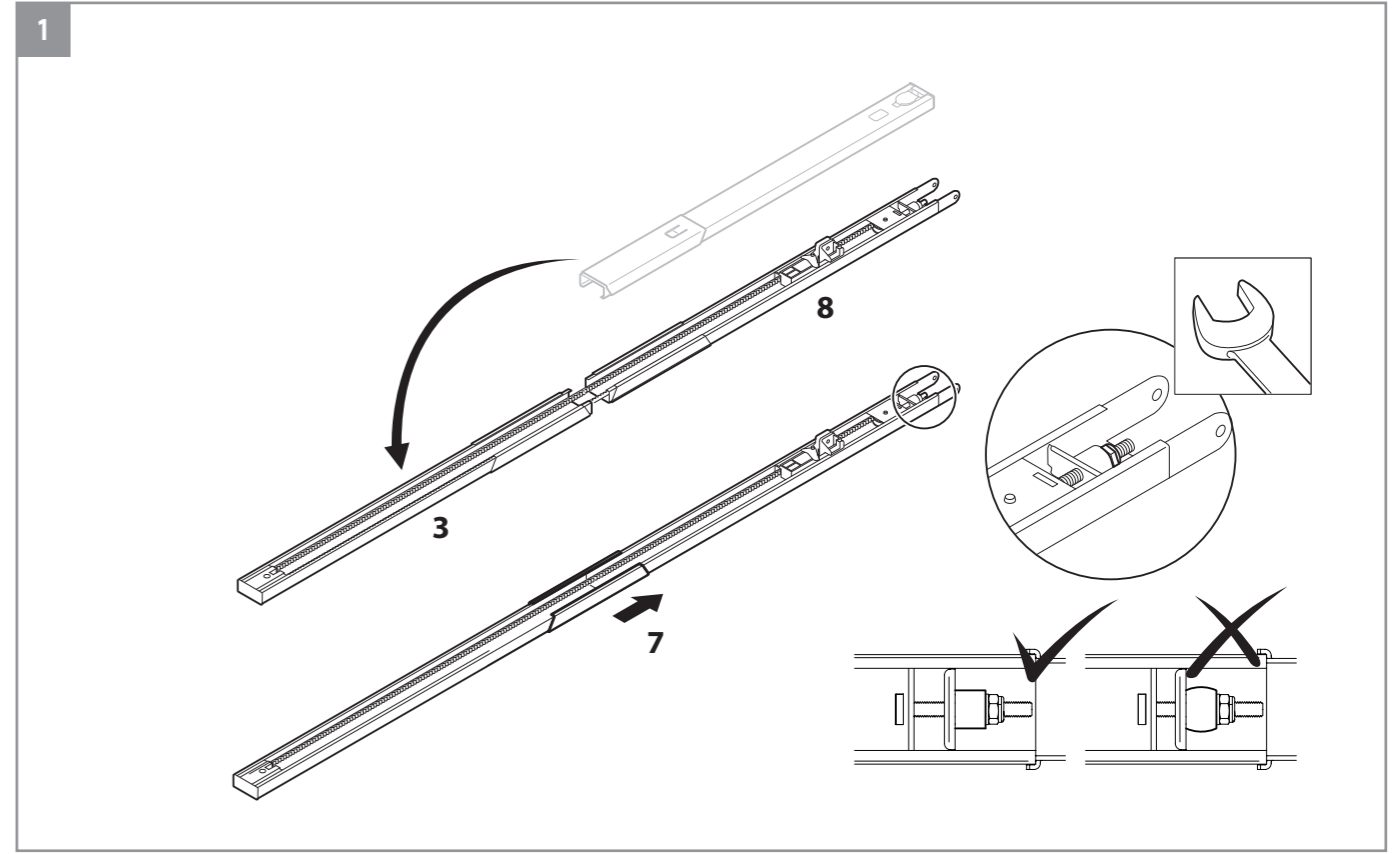
21	22	23	24	25	26	27
6x	6x	6x	1x	4x	5x	4x

28 8x, 29 2x, 30 2x

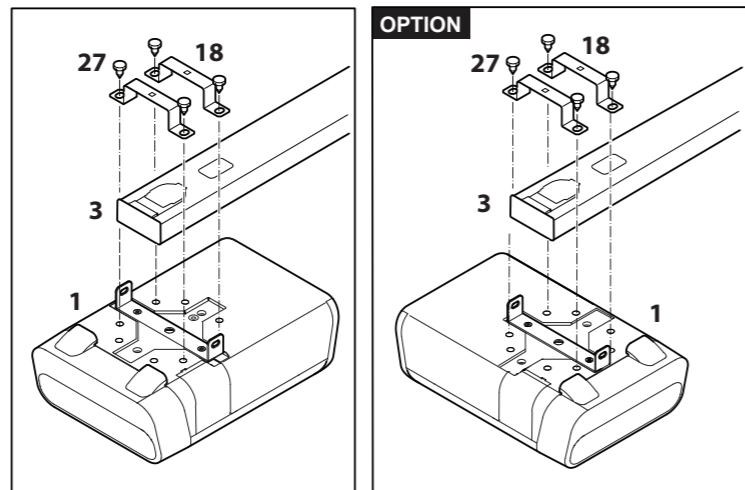
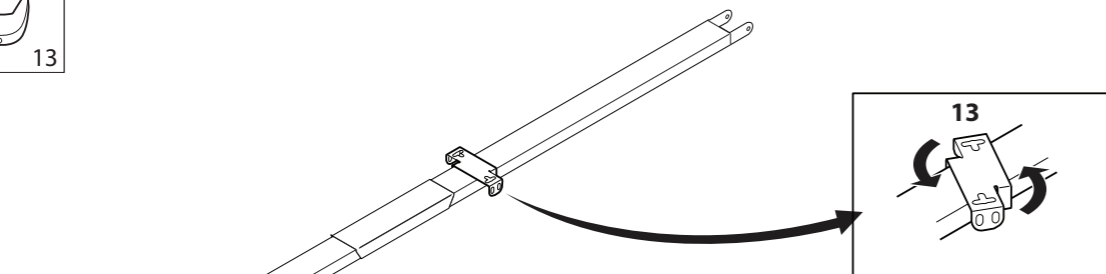
11 1x, 18 2x, 12 1x, 10 1x, 15 1x, 16 4x, 13 2x, 7 1x, 17 1x, 19 1x, 20 1x

**Accessory**

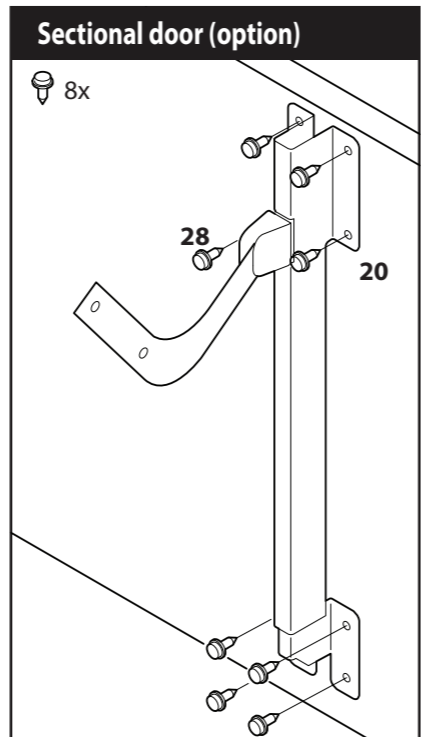
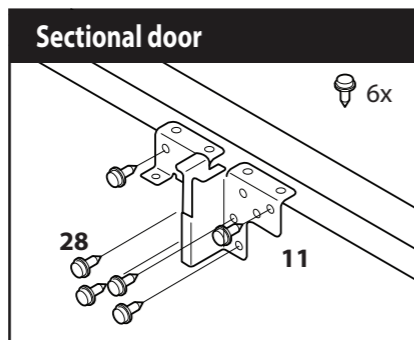
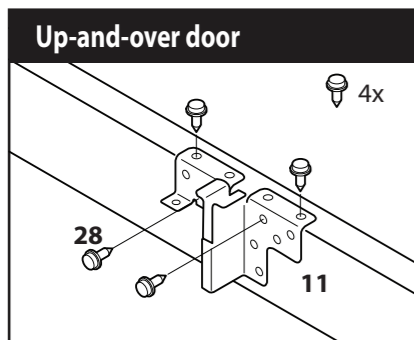
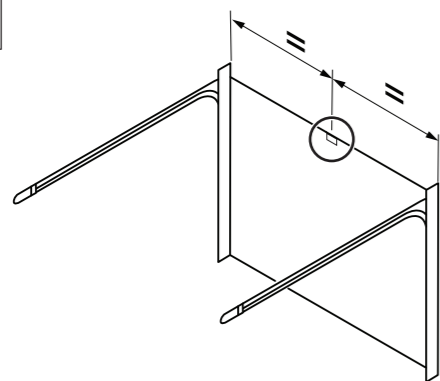
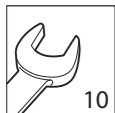
**TOOLS**



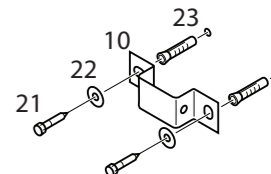
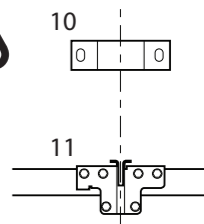
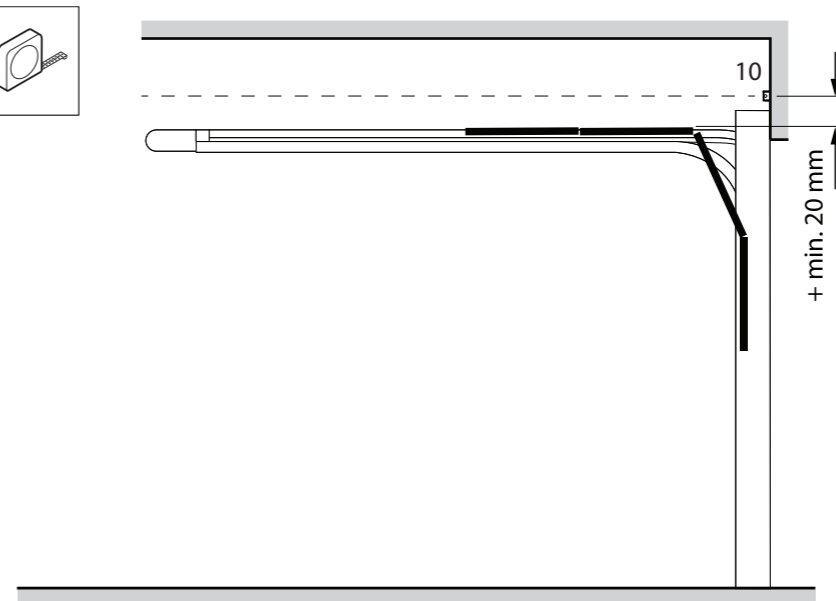
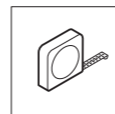
2



3



4



5

